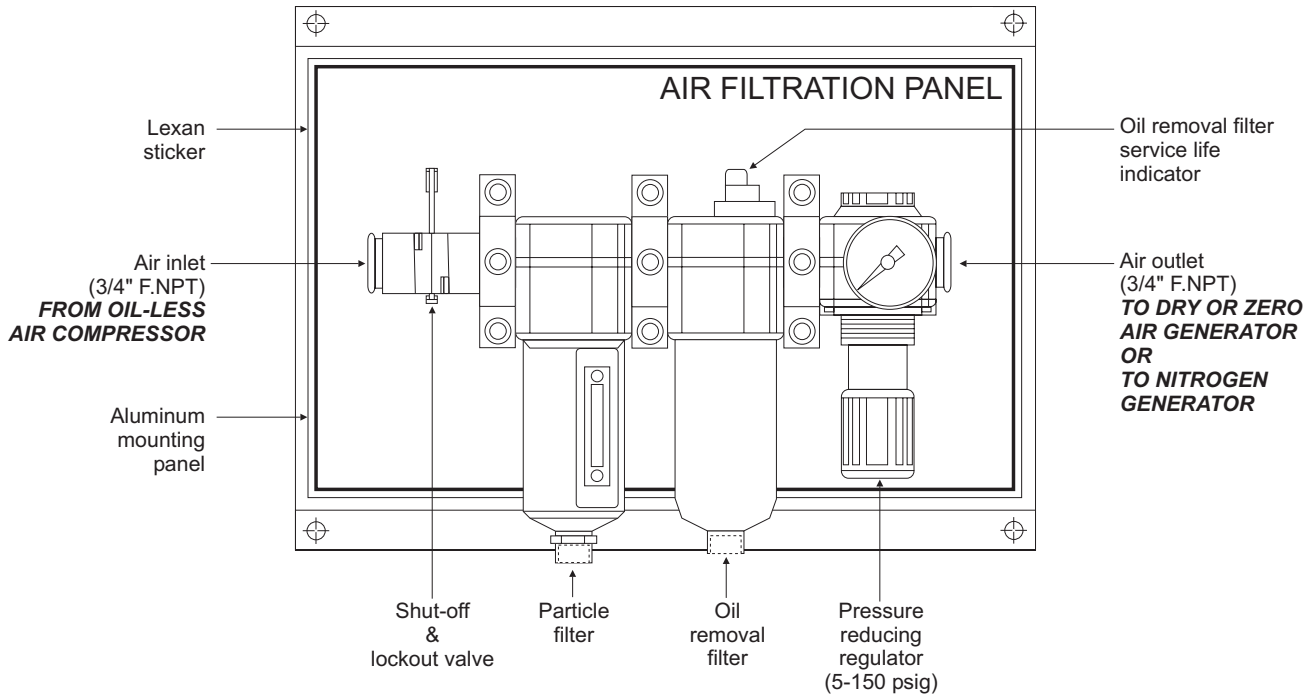




AIR FILTRATION PANELS

AF250 SERIES



Description

Nitrogen generators and Zero Air generators need to be fed with oil-free and particle-free compressed air. The AF250 is designed to remove traces of oil and particle deposits in the piping system before entering the generators. The line regulator assures constant delivery pressure to the generators.

Warning

The AF250 is not designed to remove water in the air stream. Specific air dryers might be required for your application. Consult WESTERN for details.

Maximum remaining oil content in outlet air is 0.01 ppm provided that air is supplied from an oil-free air compressor.

Key Features

- **2-position shut-off valve no exhaust** - Valve can be locked in the closed position only
- **Up to 5-micron filter with quick release bayonet bowl** - Removal of fine particles
- **Oil removal filter** - Coalescing type filtering element captures residual oil content in the pipeline down to 0.01 ppm
- **Pressure reducing regulator** - Balanced regulator design minimizes effect of variation in the inlet pressure on the outlet pressure
- **Panel mount in-line modular design** - Allows fast and easy installation

How to order - part number matrix

AF250			
Series	Particle filter element Standard elements (in micron) ■ 5 = PF5 ■ 25 = PF25 ■ 40 = PF40	Oil removal filter Standard elements ■ Coalescent = COF ■ Activated carbon = ACF	Outlet pressure Standard ranges (in psig) ■ 5-60 = 60 ■ 5-150 = 150 ■ 10-250 = 250

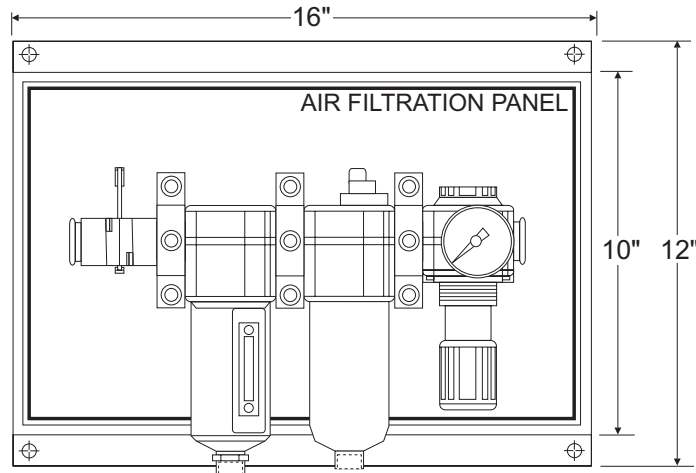


AIR FILTRATION PANELS

AF250 SERIES TECHNICAL SPECIFICATIONS

Dimensional drawing

Approximate dimensions



Specifications

Maximum Inlet pressure	250 psig
Outlet pressure range	Refer to P/N matrix
Inlet connection	3/4" F.NPT
Outlet connection	3/4" F.NPT
Operating temperature	-30°F to 125°F
Pressure gauge dial	1-1/2"

Performance

Particle removal	0.01 micron
Maximum oil vapor content in outlet air (with an inlet concentration of 17 ppm)	0.01 ppm
Maximum flow at 90 psig inlet pressure	3540 scfh

Standard materials of construction

Part description

Shut-off valve	Body: zinc - Slide: acetal plastic - Elastomers: nitrile Body: aluminum - Bowl: aluminum - Lens: nylon - Element: polypropylene Elastomers: neoprene and nitrile
Particle filter	Body: aluminum - Bowl: aluminum - Lens: nylon - Element: polypropylene Elastomers: neoprene and nitrile
Oil filter	Body: aluminum - Bowl: aluminum - Lens: nylon - Element: synthetic fiber and polyurethane foam or activated carbon - Elastomers: neoprene and nitrile - Service indicator: nylon body, acetal internal parts, stainless steel spring, nitrile elastomers
Pressure regulator	Body: aluminum - Bonnet: aluminum - Valve: brass - Elastomers: nitrile Bottom plug: acetal