



# DELIVERY PANELS

# DP3000 SERIES

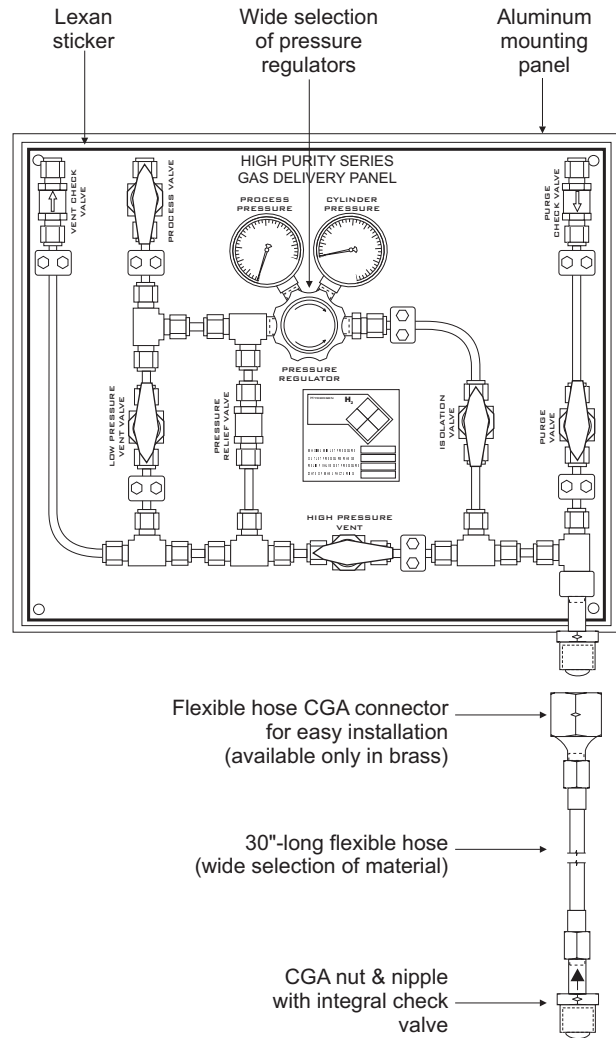
## Description

The DP3000 Gas Delivery Panels are designed to provide precise and safe delivery of gases (corrosive, toxic, flammable or inert). These panels are ideal for applications requiring high purity levels. Each panel can be mounted as a stand alone configuration or in a gas cabinet.

You can select from a wide range of panel configurations, pressure reducing regulators, valves and materials to perfectly meet your applications needs.

## Standard features

- Rust-free aluminum mounting panel with pre-drilled mounting holes
- Each gas labeled with the appropriate NFPA hazard diamond, CAS registry number, UN and DOT classifications
- Convenient name plate with operating information such as maximum inlet pressure, outlet pressure range and safety relief valve set pressure
- Panels completely assembled and tested prior to shipping
- Customizable panel to meet your applications needs and budget
- Each valve, gauge, check valve and pressure relief valve is identified on an extremely resistant Lexan sticker



**Model Shown:**  
Five-valve panel mounted with ball valves

## How to order - part number matrix

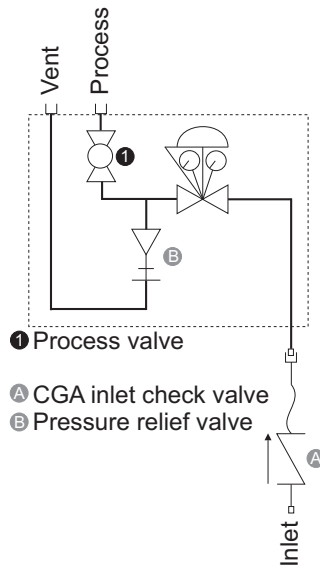
DP3000					
<b>Series (inlet pressure)</b>	<b>Fluid</b>	<b>Outlet pressure</b>	<b>Regulator</b>	<b>Flexible hoses</b>	<b>Configuration</b>
Standard series	Most Specialty gases can be specified including acetylene and LPG	■ 1-15 = 15	■ Brass / single-stage = B1	■ Thermoplastic (nylon) steel fittings = NH	■ One valve panel = V1
■ 3000 psi = DP3000		■ 2-25 = 25	■ Brass / two-stage = B2	■ Teflon innercore, SS braid, brass fittings = TH	■ Two valve panel = V2
Optional series		■ 2-50 = 50	■ SS / single-stage = S1	■ Stainless steel innercore, = SH	■ Three valve panel = V3
■ 300 psi = DP300		■ 5-100 = 100	■ SS / two-stage = S2	■ Stainless steel innercore, = SH overbraid & fittings	■ Four valve panel = V4
■ 800 psi = DP800		■ 5-150 = 150	Brass regulators are mounted with copper tubing and brass fittings		■ Five valve panel = V5
■ 4500 psi = DP4500		■ 10-250 = 250	Stainless steel regulators are mounted with stainless steel fittings and tubing		Standard valve type is ball valve. Add the suffix D to your valve configuration for diaphragm valves.
■ 6000 psi = DP6000		■ 30-500 = 500			
		Other: please specify			



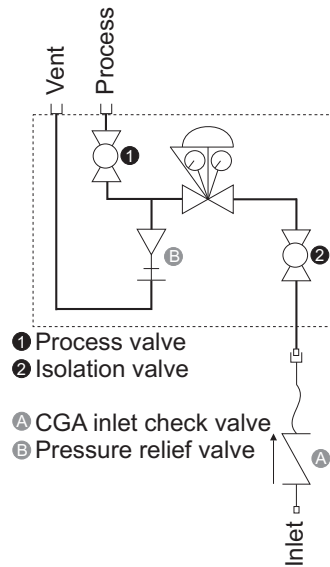
# DELIVERY PANELS DP3000 SERIES TECHNICAL SPECIFICATIONS

## Panel configurations

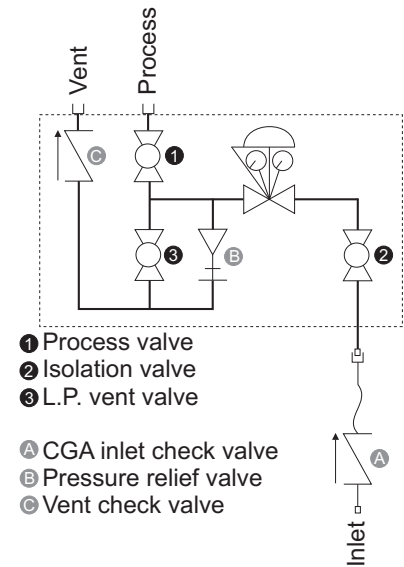
### One-valve panel



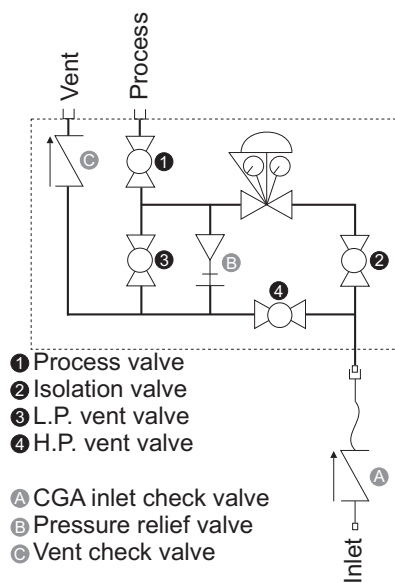
### Two-valve panel



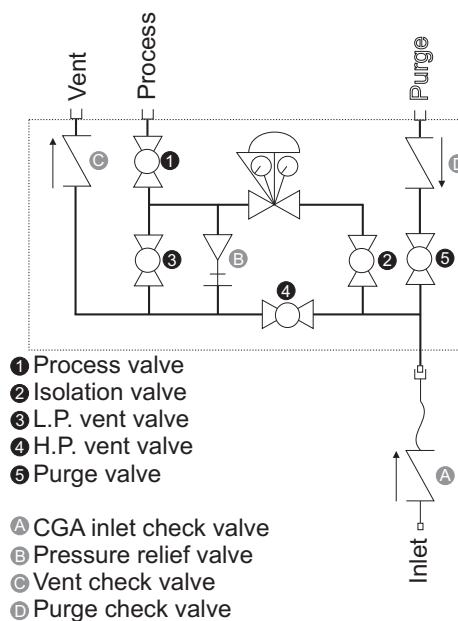
### Three-valve panel



### Four-valve panel



### Five-valve panel



### Mechanical legend

	Ball valve or diaphragm valve
	Check valve
	Pressure reducing regulator
	Pressure relief valve
	Flexible hose