



# PARTICLE FILTER PANELS FOR ICP & ICP-MS

## PF1000 SERIES

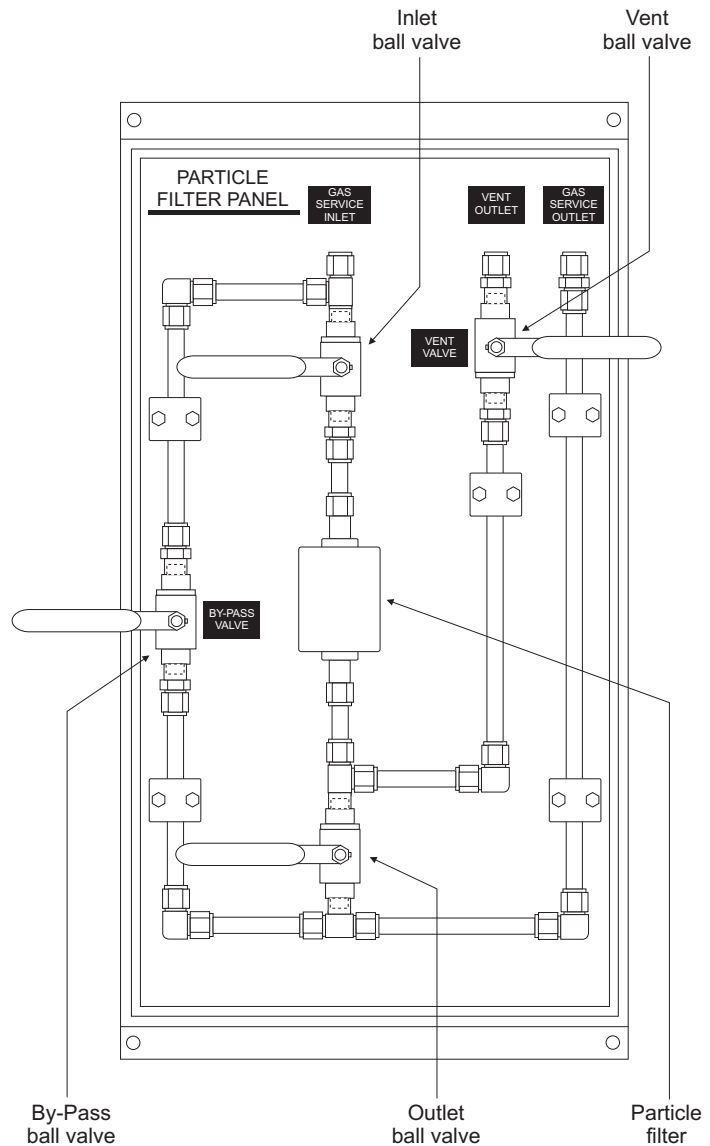
### Description

The PF1000 Series Particle Filter Panels are ideal where extreme levels of filtration are required. Our in-line filters are specifically designed to remove metals and other particulate matters from argon streams. Particularly suited for ICP and ICP-MS applications, the submicron filter membrane effectively removes all particles 0.01 micron or larger.

The panel mounted valves allow easy filter changeouts without an interruption of argon supply or pipeline contamination.

### Key Features

- **Design** - Low maintenance design with convenient access to panel valves and filter
- **By-pass valve** - Avoids gas supply shutdowns to the point-of-use during filter changeouts
- **Purge valve** - Allows the flushing of air and other contaminants out of the system before putting the filter back in service after filter changeouts
- **Inlet and outlet valves** - Their primary function is to isolate the filter during the filter replacement process
- **Filter** - 0.2 micrometer pore size membrane removes all particles 0.01 micron or larger
- **Stainless steel parts** - Minimizes metal and particles from being released into the gas stream
- **Construction** - Convenient complete package easy to install with pre-drilled holes in the panel



**Model Shown: PF1000-3-0.01m**

### How to order - part number matrix

<b>PF1000</b>	-		-	
Series		Typical fluid		Standard filter
		■ Argon = 3		■ 0.01 micron = 0.01m
		■ Helium = 5		■ 0.1 micron = 0.1m
		■ Hydrogen = 6		■ 2 microns = 2m
		■ Nitrogen = 7		
		Other please specify		
				Optional filters

### Installation tip

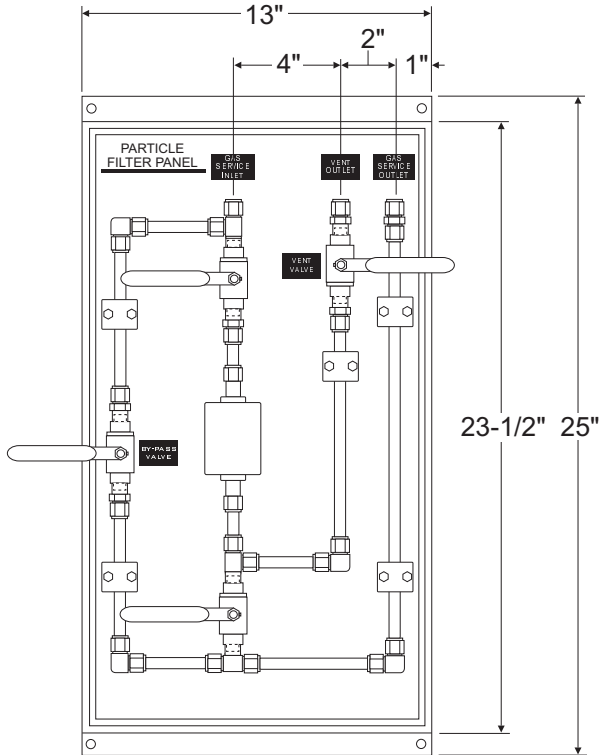
**WHEN USED FOR ICP OR ICP-MS APPLICATIONS, LOCATE THIS PANEL AS CLOSE AS POSSIBLE TO THE ANALYTICAL EQUIPMENT**



# PARTICLE FILTER PANELS FOR ICP & ICP-MS PF1000 SERIES TECHNICAL SPECIFICATIONS

## Dimensional drawing

Approximate dimensions



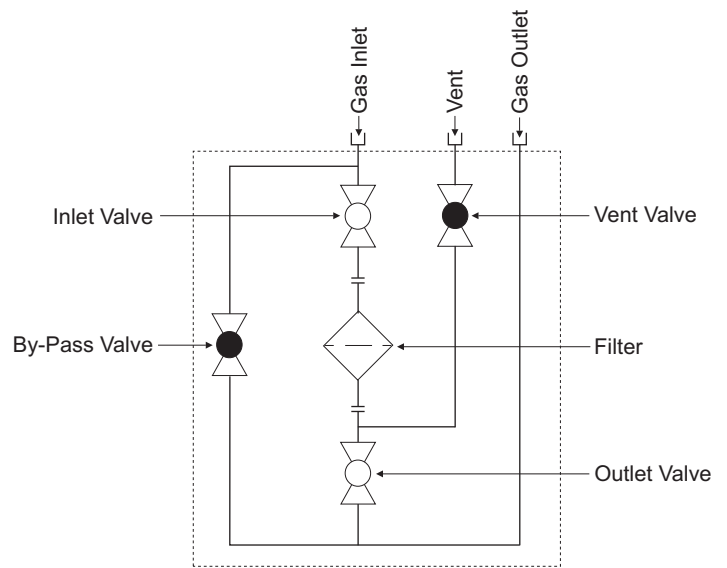
Panel depth:..... 3"  
Panel depth with Equipment:..... 5-1/2"

## Specifications

### Description

Maximum operating pressure	1000 psig
Maximum operating temperature	100°F
Maximum differential pressure	60 psi @ 70°F
Filtration rating	0.01 micron @ 100% efficiency
Maximum flow capacity	250 lpm 15 psig to atm.
Filtration area	0.5 ft <sup>3</sup>
Inlet & outlet connections	3/8" compression SS
Approximate weight	9 lbs

## Flow diagram



## Standard materials of construction

### Part description

Inlet & outlet ball valves	Body: SS 316 ASTM A351 GR. CF8M- Ball: SS 316 - Seat & seal: PTFE
Fittings	Type 316L stainless steel
Filter	Body and fittings: Type 316L stainless steel - Filter medium: PTFE Teflon O-ring seal: Teflon encapsulated silicone