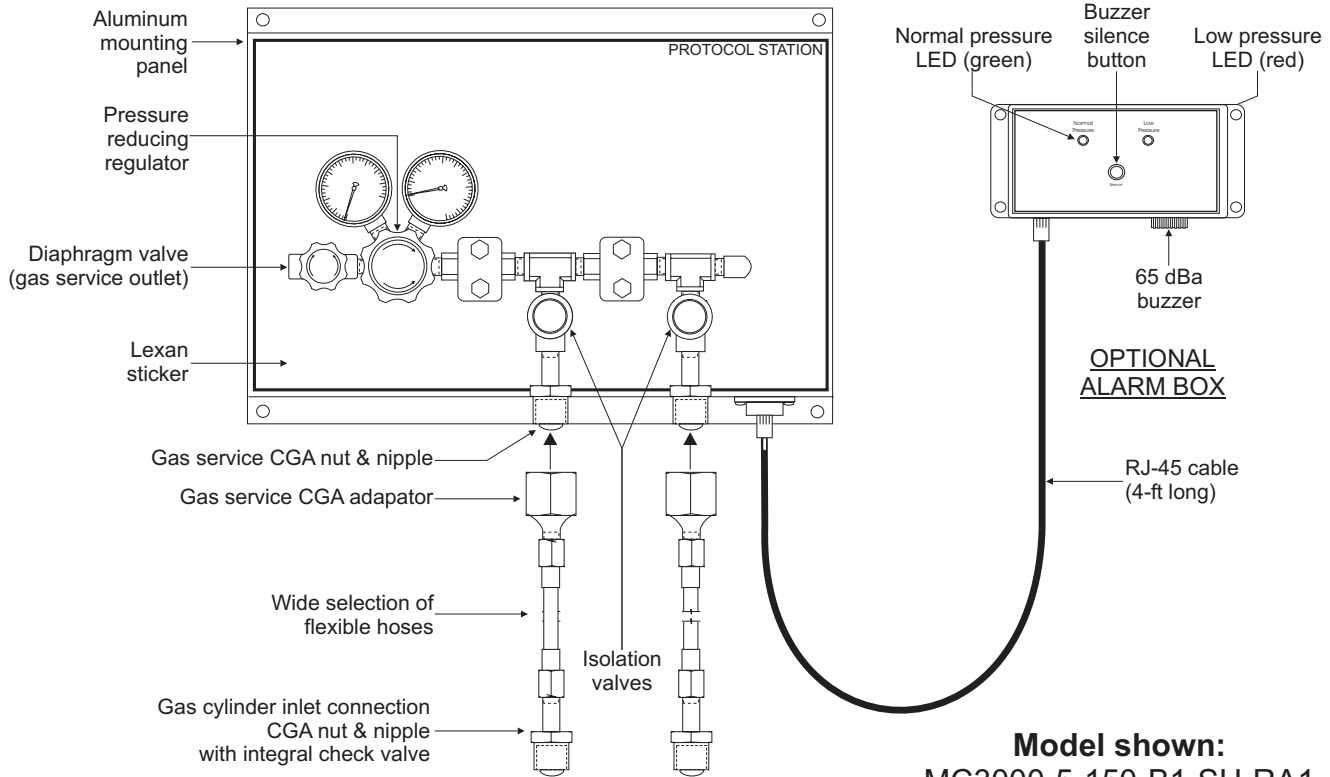




# MANUAL CHANGEOVER PROTOCOL STATIONS

## MC3000 SERIES



**Model shown:**  
MC3000-5-150-B1-SH-RA1

### Description

The MC3000 Series Manual Changeover Stations allow manual switching between a primary cylinder and a reserve cylinder. By closing the depleted cylinders isolation valve and opening the reserve (full) isolation valve, you perform cylinder changeouts without gas supply interruption. The check valves in the flexible hoses prevent back flow from the full to the empty cylinder. The optional remote alarm will provide an audible and visual warning when a cylinder is near depletion.

### Key Features

- Manual changeover between two cylinders
- Used in conjunction with the alarm, provides an economical way to maintain uninterrupted gas supply
- Wide selection of regulators and options to better meet your specific needs

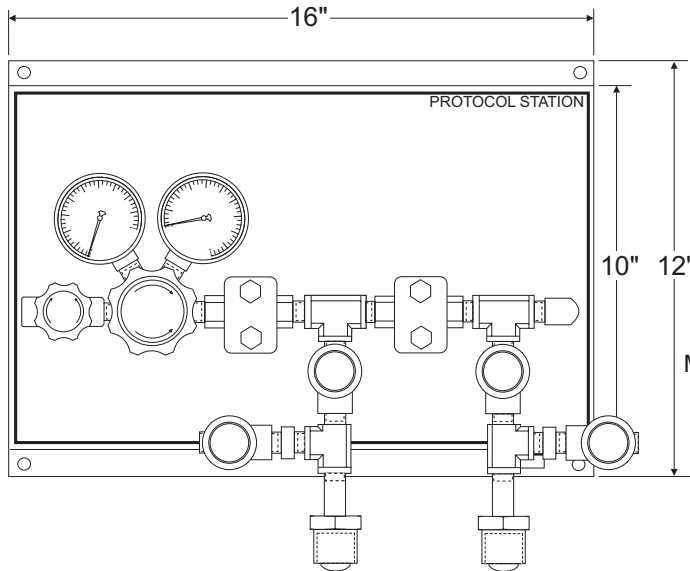
### How to order - part number matrix

MC3000					
<b>Series (inlet pressure)</b>	<b>Typical fluid</b>	<b>Outlet pressure</b>	<b>Regulator</b>	<b>Flexible hoses</b>	<b>Options</b>
Standard series	■ Air = 2	■ 1-15 = 15	■ Brass / single-stage = B1	■ Thermoplastic (Nylon) = NH	■ Standard alarm = RA1
■ 3000 psi = MC3000	■ Helium = 5	■ 2-30 = 30	(standard regulator)	■ Teflon innercore, = TH	■ Wireless alarm = RF1
	■ Hydrogen = 6	■ 4-75 = 75	■ Brass / Two-stage = B2	■ SS braid, brass fittings	■ Vent valve = VV
	■ Nitrogen = 7	■ 10-150 = 150	■ SS / single-stage = S1	■ Stainless steel innercore, = SH	■ Hose armor guard = AG
Optional series	Most specialty gases can be specified including acetylene and LPG	■ 20-300 = 300	■ SS / two-stage = S2	overbraid & fittings	■ Zipnut Q/C = QC
■ 5000 psi = MC5000		■ 30-500 = 500			■ Hand tight nut = HT
■ 6000 psi = MC6000		Other: please specify			



# MANUAL CHANGEOVER PROTOCOL STATIONS MC3000 SERIES TECHNICAL SPECIFICATIONS

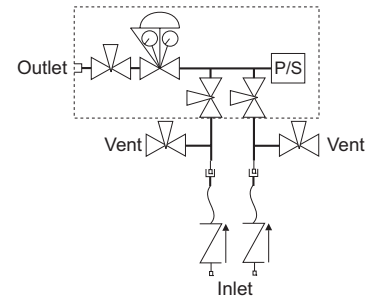
## Dimensional Drawing



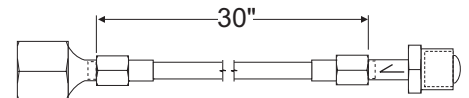
**Front View**

Approximate  
Dimensions

## Flow schematic



## Typical Flexible Hose



## Standard specifications and materials of construction

Model	MC3000 Series Brass construction	MC3000 Series All Stainless Steel Construction
Maximum inlet pressure	3000 psig	3000 psig
Outlet pressure range	See part number matrix	See part number matrix
Inlet connection fitting	Gas related brass CGA nut & nipple	Gas related type 316 stainless steel CGA nut & nipple
Gas service outlet connection	1/4" F.NPT	1/4" F.NPT
Vent valve outlet connection	1/4" M.NPT	1/4" M.NPT
Operating temperature	-40°F to 140°F	-40°F to 140°F
Pressure gauge dial & material	2"-dial, brass	2"-dial, type 316 stainless steel
Fitting size & material	1/4" NPS, brass	1/4" NPS, type 316 stainless steel
Pressure regulator & outlet valve		
Body	Brass bar stock	Type 316L stainless steel bar stock
Diaphragm	Type 304 stainless steel	Type 316L stainless steel
Filter	10-micron	40-micron
Seats	Nickel-plated sintered bronze	Type 316L stainless steel
Seals	PCTFE	PCTFE
Seals	Teflon	Teflon
Vent valve		
Body	Forged brass UNS 37700	Type 316 stainless steel
Seats	Nylon, Zytel 101 or Celanese 1000-1	PFA
Seals	Virgin Teflon	PFA