



# MODULAR POINT-OF-USES FLOWMETER PANELS

## FP150 SERIES

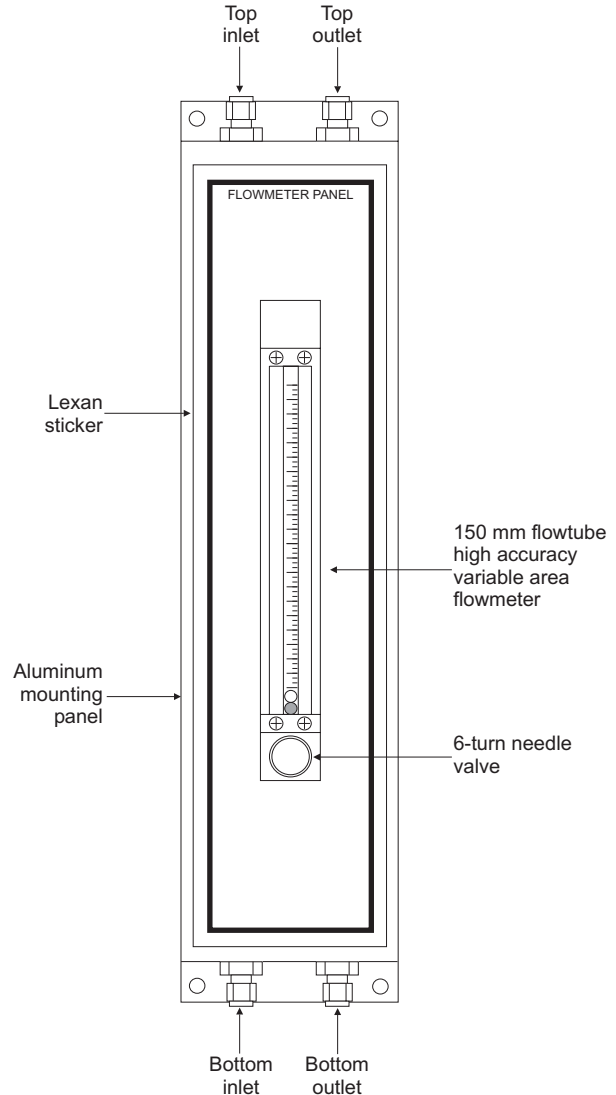
### Description

The FP150 Series Flowmeter Panels are designed to accurately measure the flow of high purity gases with the convenience of a panel mounted variable area flowmeter. Flowmeters feature an easy-to-read universal 150 mm scale with a correlation chart containing calibration data for air and other gases.

Glass flowmeters are suitable for metering carrier gases, gas measurement in pilot plants, laboratories and process flows

### Key Features

- **Rust-free aluminum mounting panel**
- 6-turn needle valve for accurate flow rate control
- **Permanently fused ceramic scale with vertical locator line reduces parallax and eye fatigue**
- Panels completely assembled and tested prior to shipping
- **Pre-drilled panel holes for convenient installation**
- Top or bottom inlets and outlets provide unlimited installation configurations
- **Thick polycarbonate front shield protects tube from breakage and also serves as a magnifying lens to enhance reading resolution**



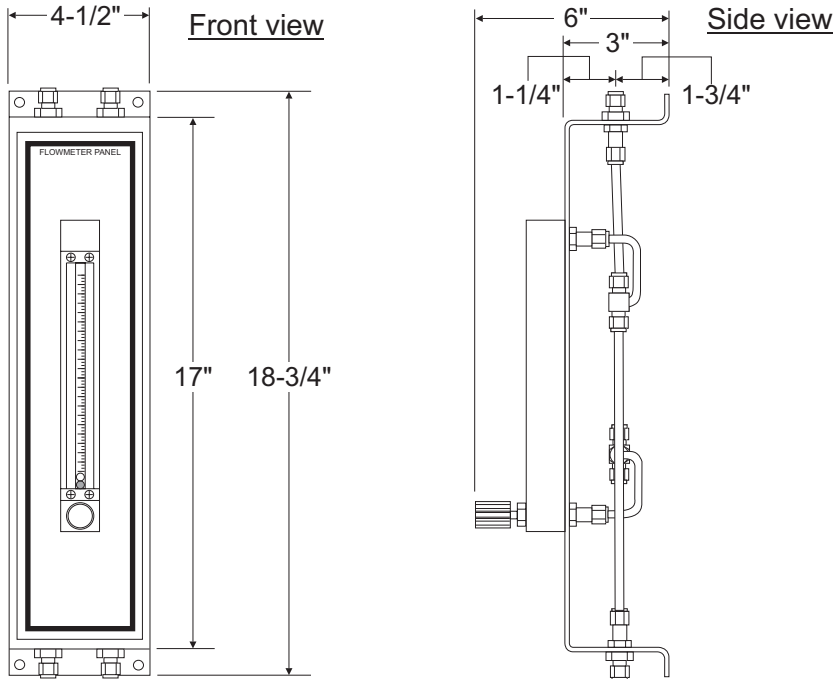
### How to order - part number matrix

FP150			
Series	Fluid	Maximum flow	NIST traceability
■ Acetylene = 1	■ Air = 2 ■ Argon = 3 ■ Carbon dioxide = 4 ■ Helium = 5 ■ Hydrogen = 6 ■ Nitrogen = 7 ■ Nitrous oxide = 8 ■ Oxygen = 9 ■ LPG = 10	Specify the maximum flow you want to measure for the fluid (gas) service in either scfh or lpm.  Then, we will select the right flowmeter to suit your flow requirements while assuring material compatibility.	■ NIST traceable = NIST certificate Leave blank if none

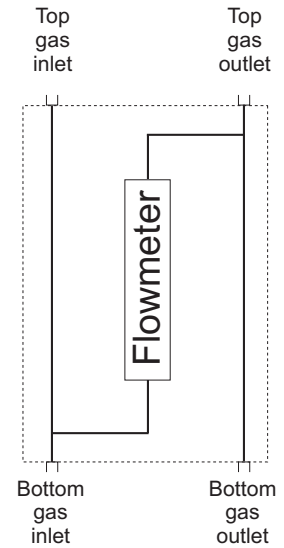


# MODULAR FLOWMETER PANELS FOR HIGH PURITY GASES FP150 SERIES TECHNICAL SPECIFICATIONS

## Dimensional drawing



## Flow schematic



## Specifications

### Description

Maximum working pressure	150 psig
Inlet connection	1/4" compression S/S
Outlet connection	1/4" compression S/S
Operating temperature	100°F
Tube diameter	1/4" O.D.
Nb of top ports	1 inlet & 1 outlet
Nb of bottom ports	1 inlet & 1 outlet

## Standard materials of construction

### Part

Fittings	Stainless steel 316
Tubing	Stainless steel 316
Flowmeter	
Tube	Borosilicate glass
Tube float stop	Teflon
End blocks	Anodized aluminum or Stainless steel 316 or Brass
Metering valve	Chrome plated brass or Stainless steel 316
Floats	Selection based on flows: Borosilicate glass Sapphire Stainless steel 316 Carboloy Tantalum
O-rings	Buna-N or Viton
Valve orifice	Delrin or Kel-F
Side panels	Black anodized aluminum
Front shield	Lexan polycarbonate