



COMPACT PURGE REGULATOR PANELS FOR COMMERCIAL GRADE GASES

**RP300
SERIES**

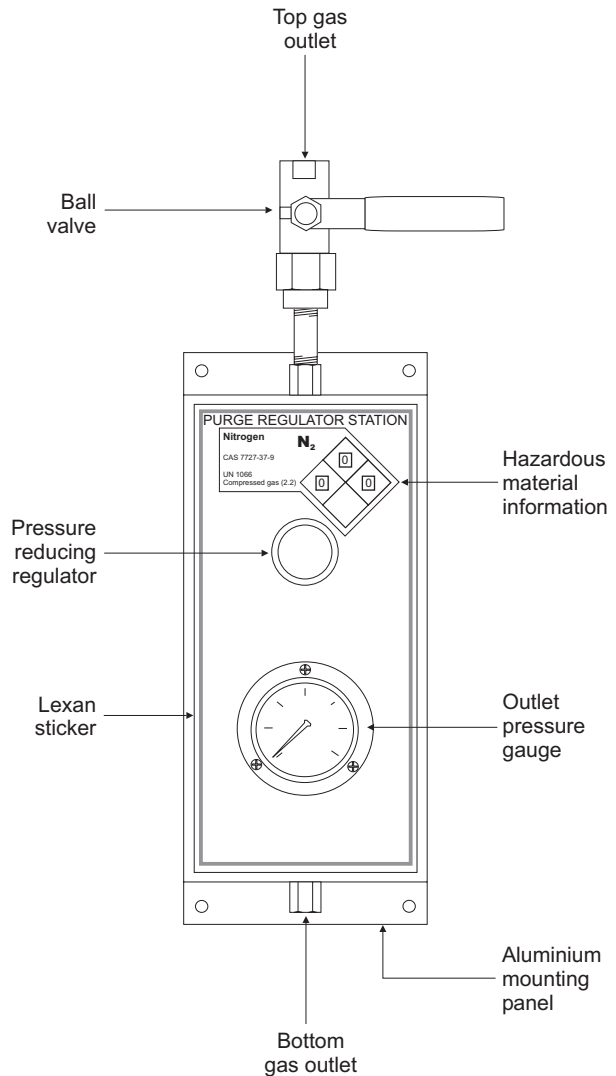
Description

The RP300 Series Purge Regulator Panels are designed for low purity gases used in-line at pipeline pressures up to 300 psig. These panels are specially suited for point-of-use gas delivery systems where leak integrity is not an issue.

The RP300s are recommended for use to supply carbon dioxide to incubators or to supply nitrogen as a process purge gas.

Key Features

- **Rust-free aluminum mounting panel**
- Each gas labeled with the appropriate NFPA hazard diamond, CAS registry number, UN and DOT classifications
- **Wide range of outlet pressures**
- Panels completely assembled and tested prior to shipping
- **Balanced regulator design minimizes the effect of variation in the inlet pressure, on the outlet pressure**
- Pre-drilled holes for convenient installation
- **Standard relieving regulator allows a reduction of downstream pressure when the system is dead-ended**
- Top inlet and bottom outlet



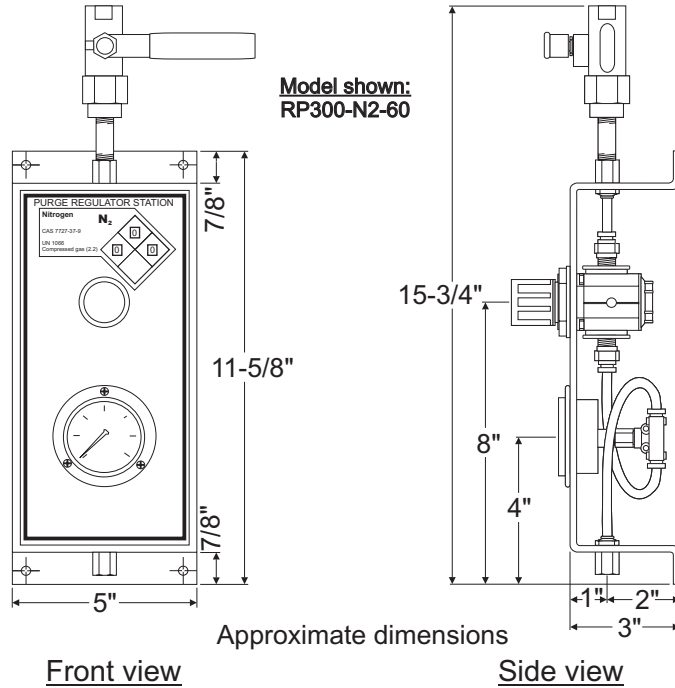
How to order - part number matrix

RP300	—	—	
Series	Typical fluid	Outlet pressure	
	■ Air = 2	■ 5 to 60 psig = 60	
	■ Carbon dioxide = 4	■ 5 to 150 psig = 150	
	■ Nitrogen = 7	■ 10 to 250 psig = 250	

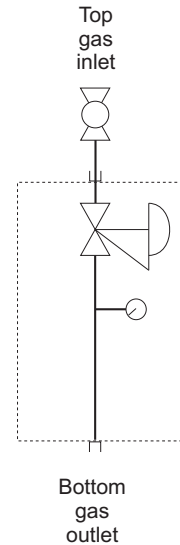


COMPACT PURGE REGULATOR PANELS FOR COMMERCIAL GRADE GASES RP300 SERIES TECHNICAL SPECIFICATIONS

Dimensional drawing



Flow schematic



Specifications

Description

Maximum inlet pressure	300 psig
Outlet pressure range	refer to part number matrix
Inlet connection	1/4" F.NPT
Outlet connection	1/4" F.NPT
Operating temperature	-30°F to 175°F
Pressure gauge dial	2-1/2"
Tube diameter	1/4" outside diameter
Pressure regulator type	Single stage, relieving

Standard materials of construction

Part

Ball valve	Body: forged brass - Ball: chrome plated brass
Fittings	Body: PBT - Seals: NBR - Release sleeve & back ring: POM - Grab ring: stainless steel
Pressure gauge	Inlet: brass - Bourdon tube: copper alloy - Movement: copper alloy
Tubing	Teflon (PTFE) or Nylon
Regulator	Body & bonnet: aluminum - Valve: brass - Elastomers: Nitrile - Bottom plug: Acetal