



## COMPACT REGULATOR PANELS FOR HIGH PURITY GASES

RP600  
SERIES

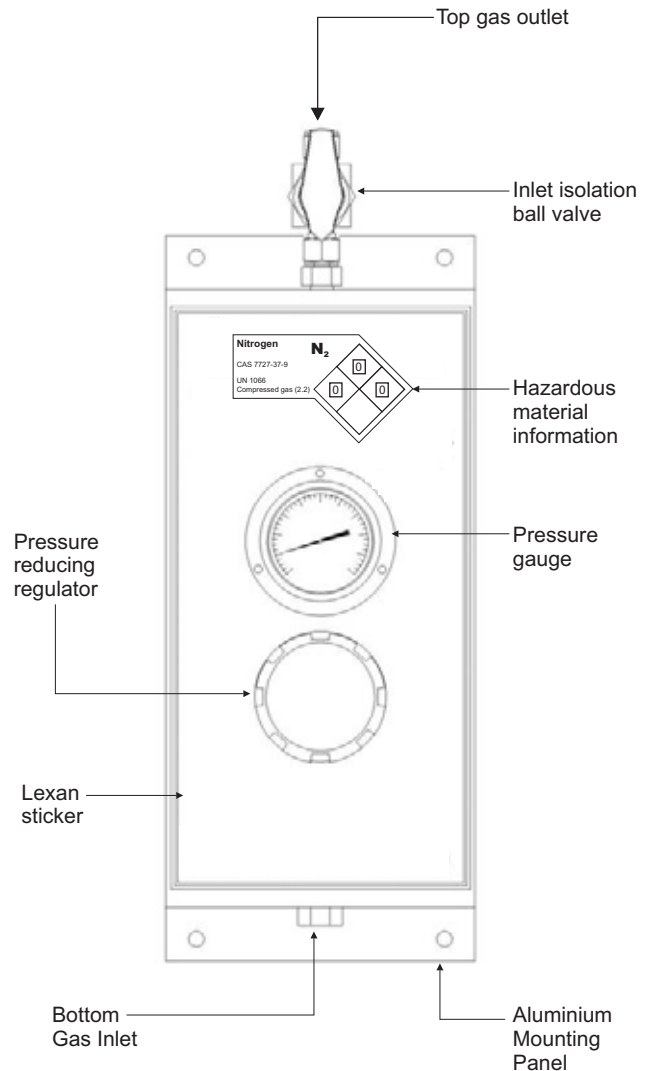
### Description

Laboratories often grow into a tangle of tubing and line regulators. Because of its compact design, the RP600 Series Compact Regulator Panels can be easily located anywhere in the laboratory.

The RP600s are designed for laboratories who want to control end-of-the-line pressure for any kind of gases. The RP600s offers the same feature as the RP1000s at lower prices.

### Key Features

- **Rust-free aluminum mounting panel**
- Each gas labeled with the appropriate NFPA hazard diamond, CAS registry number, UN and DOT classifications
- **Wide range of outlet pressure**
- Panels completely assembled and tested prior to shipping
- **Customizable regulator panel with unlimited possibilities**
- Pre-drilled holes for convenient installation
- **When selecting single regulator panels, system allows for upgrades or modifications**
- Top inlet and bottom outlet
- **Compact design**
- Inlet shutoff valve is standard



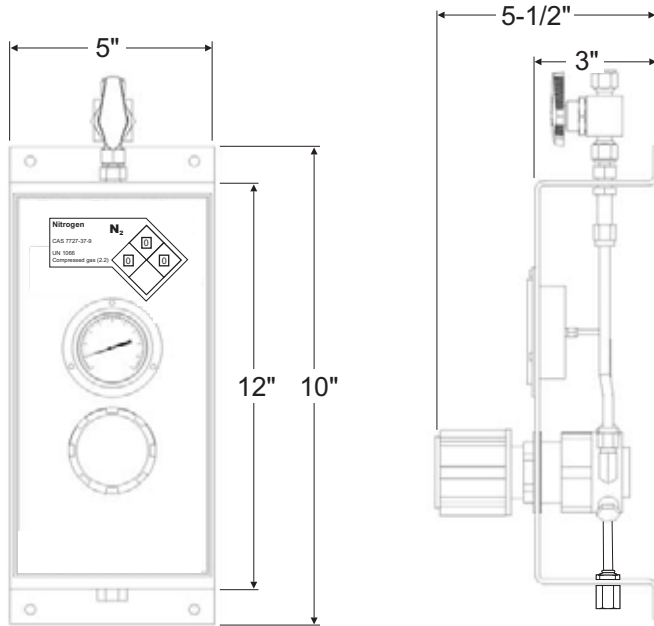
### How to order - part number matrix

Series	Fluid	Outlet pressure
RP600	■ Acetylene = 1	■ = 30
	■ Air = 2	■ = 75
	■ Argon = 3	■ = 125
	■ Carbon dioxide = 4	■ = 250
	■ Helium = 5	■ = 500
	■ Hydrogen = 6	
	■ Nitrogen = 7	
	■ Nitrous oxide = 8	
	■ Oxygen = 9	
	■ LPG = 10	



# COMPACT REGULATOR PANELS FOR HIGH PURITY GASES RP600 SERIES TECHNICAL SPECIFICATIONS

## Dimensional drawing

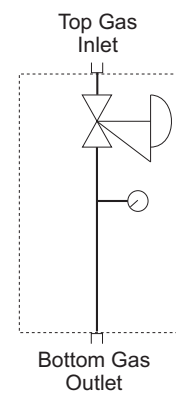


Front view

Side view

Approximate dimensions

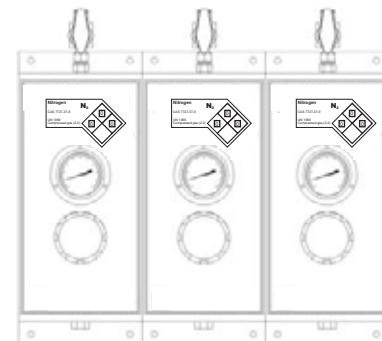
## Flow schematic



## Specifications

### Description

Maximum inlet pressure	600 psig
Outlet pressure range	250 psig
Inlet connection	1/4" compression S/S
Outlet connection	1/4" F.NPT brass
Operating temperature	-40°F to 140°F
Pressure gauge dial	2-1/2"
Tube diameter	1/4"
Pressure regulator type	Single stage, high purity



## Standard materials of construction

### Part

Ball valve	Body: brass - Ball: stainless steel 316 - Packing & seal: PTFE
Fittings	Stainless steel 316 - brass: CDA 360 & CDA 377
Pressure gauge	Brass CDA 360 inlet
Tubing	Stainless steel 304 - Copper ASTM B280
Regulator	Body & bonnet: brass - Diaphragm: stainless steel