



MODULAR POINT-OF-USE VALVE PANELS

VP1000 SERIES

Description

The VP1000 Series is the most versatile and compact valve panel on the market. It allows the end user to combine different regulator panels, filter panels and flow meter panels and direct one or several supply gases into one or more points of use.

Our systems are designed, cleaned and built to maintain high purity levels.

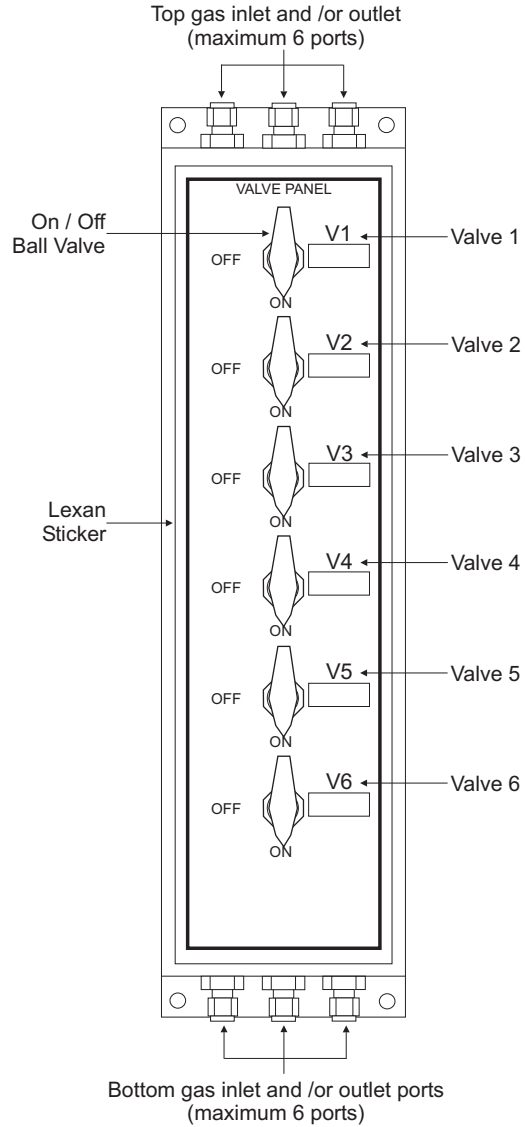
Key Features

- **Rust-free aluminum mounting panel**
- Each outlet is labeled with the appropriate gas service name
- **Up to 6 inlets and outlets** that you can mix and match to meet your specific requirements
- Panels completely **assembled and tested** prior to shipment
- Pre-drilled panel holes for **convenient installation**
- **Top or bottom inlets and outlets** provide unlimited installation configurations
- Oil-free, non-lubricated, instrument, 1/4-turn ball valve to maintain **high purity levels**

Installation tip

You can combine several other types of WESTERN panels with this valve panel. The VP1000 Series valve panels can be combined with end-of-the-line purifier panels and/or regulator panels.

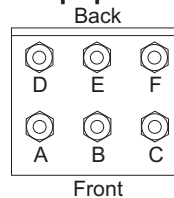
Please consult WESTERN for details



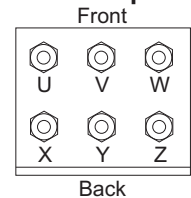
How to order - part number matrix

VP1000						
Series	Valve 1	Valve 2	Valve 3	Valve 4	Valve 5	Valve 6
■ VP1000	☑A ☑U	☑A ☑U	☑A ☑U	☑A ☑U	☑A ☑U	☑A ☑U
Brass & copper	☑B ☑V	☑B ☑V	☑B ☑V	☑B ☑V	☑B ☑V	☑B ☑V
■ VP1000SS	☑C ☑W	☑C ☑W	☑C ☑W	☑C ☑W	☑C ☑W	☑C ☑W
All stainless steel	☑D ☑X	☑D ☑X	☑D ☑X	☑D ☑X	☑D ☑X	☑D ☑X
	☑E ☑Y	☑E ☑Y	☑E ☑Y	☑E ☑Y	☑E ☑Y	☑E ☑Y
	☑F ☑Z	☑F ☑Z	☑F ☑Z	☑F ☑Z	☑F ☑Z	☑F ☑Z

Top ports



Bottom ports



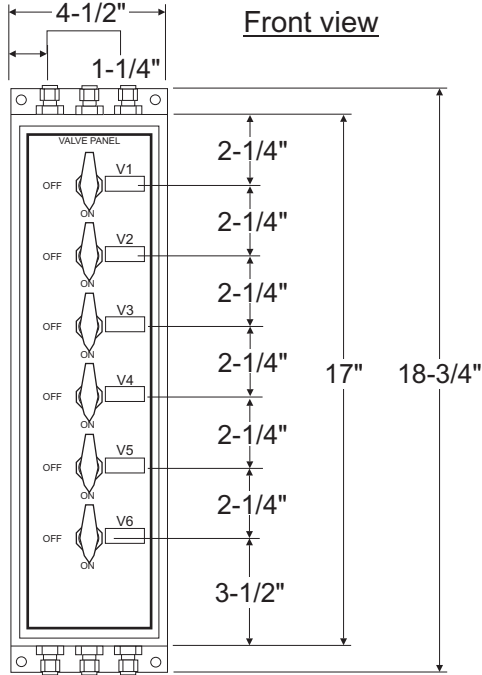
Rules to follow when putting together the part number matrix:

- 1 - Inlet and outlet ports can be located at top and/or bottom sides (as an example, inlet can be "Y" and outlet can be "Z").
- 2 - The same port cannot be serviced by two valves.
- 3 - Several ports can service one valve.
- 4 - The quantity of valves per panel cannot exceed 6 (if you order a three-valve panel, the panel will have three valves and not six).
- 5 - Specify the gas service being used for each valve when ordering.



MODULAR VALVE PANELS FOR HIGH PURITY GASES VP1000 SERIES TECHNICAL SPECIFICATIONS

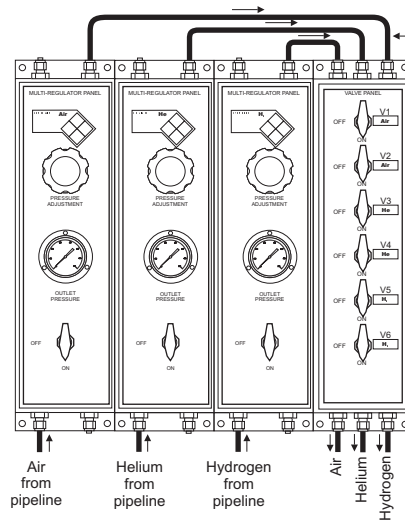
Dimensional drawing



Specifications

Description

Maximum inlet pressure	1000 psig
Inlet connection	1/4" compression S/S
Outlet connection	1/8" compression S/S
Operating temperature	-40°F to 140°F
Tube diameter	1/4" O.D.
Nb of top ports	6
Nb of bottom ports	6



VALVE PANEL PART NUMBER

VP1000-
V1AU(Air)-
V2AX(Air)-
V3BT(He)-
V4BY(He)-
V5CW(H2)-
V6CZ(H2)

Standard materials of construction

Part

Ball valve	Body: brass - Ball: stainless steel 316 - Packing & seal: PTFE
Fittings	Stainless steel 316 - brass: CDA 360 & CDA 377
Tubing	Copper: ASTM B280